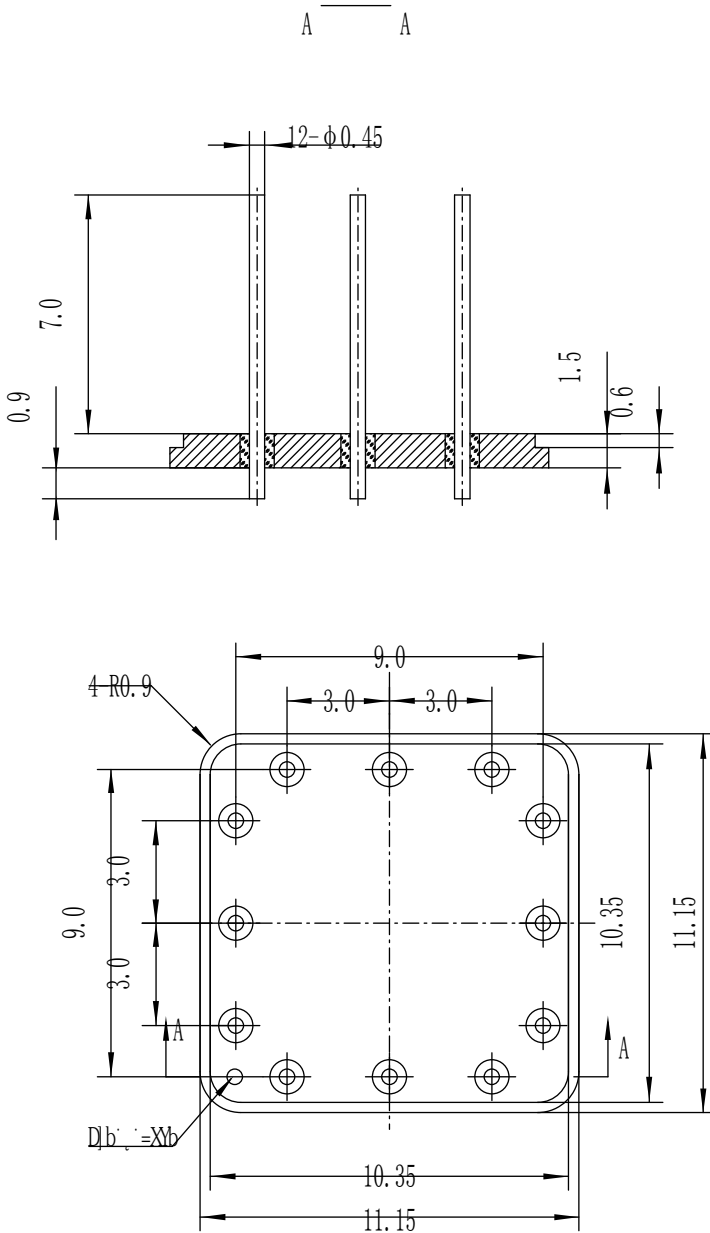
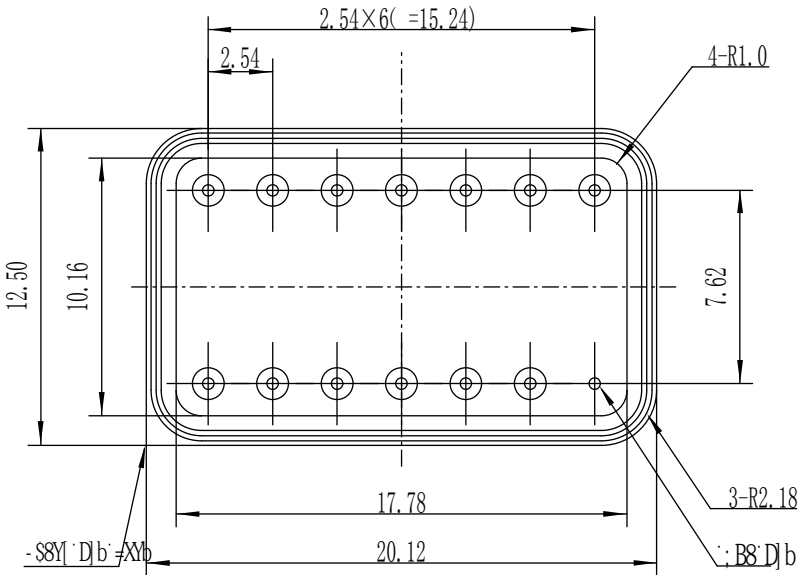
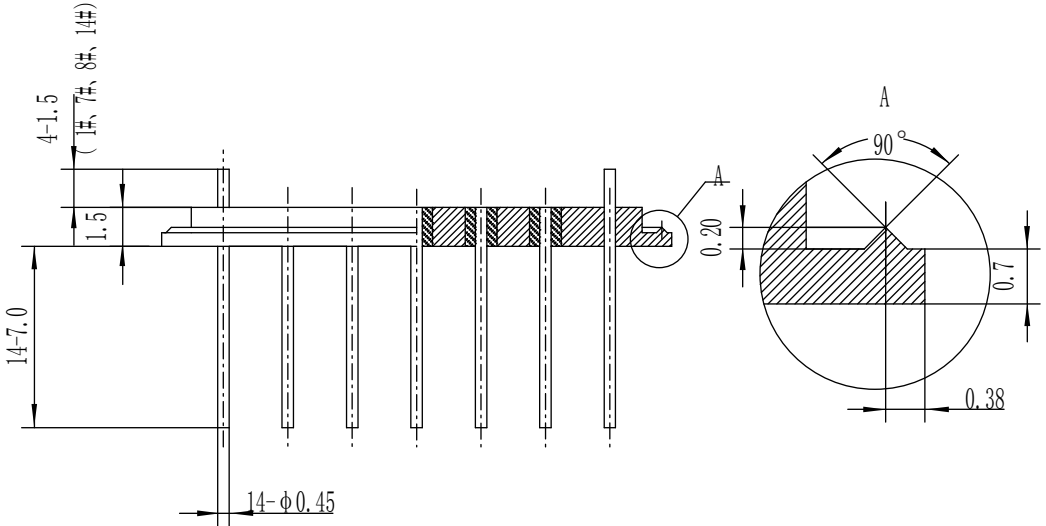


# PP1212 - 12



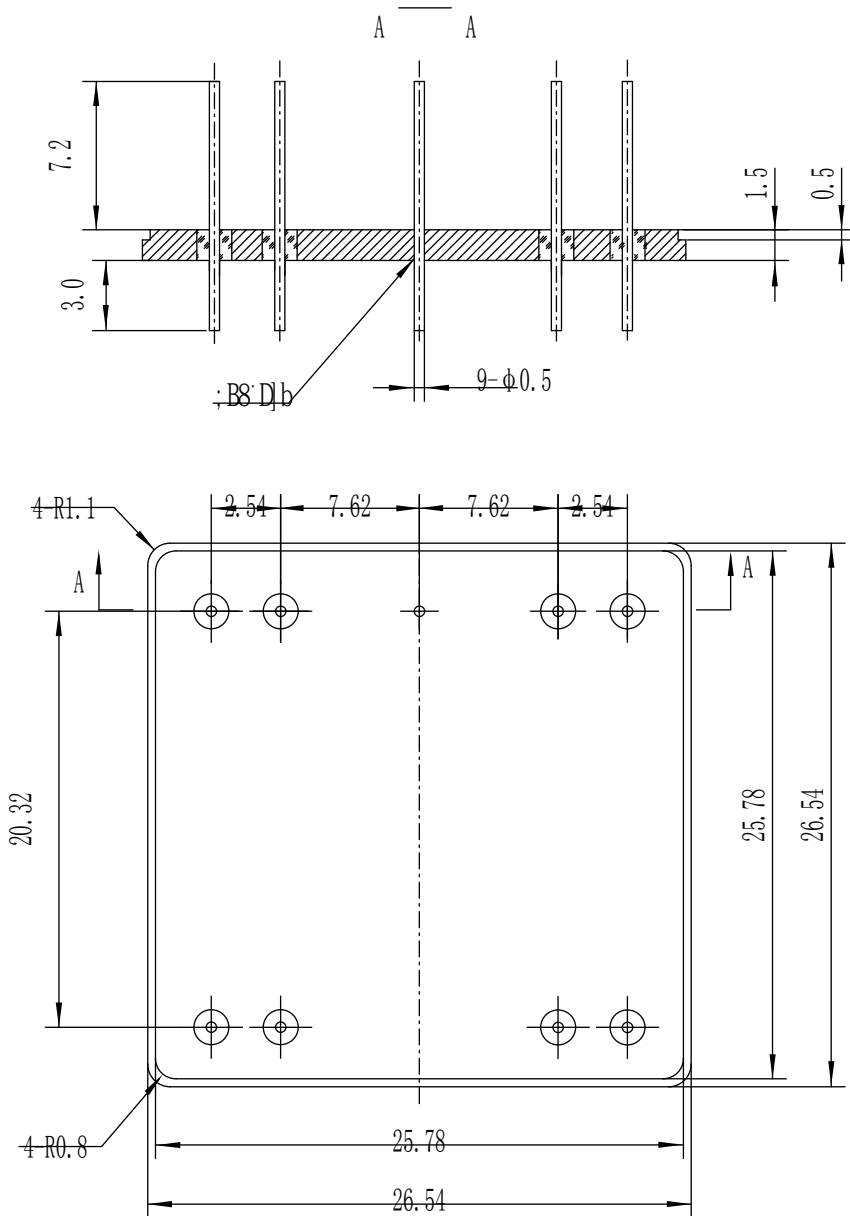
Base Material: CRS

# PP2113 - 14



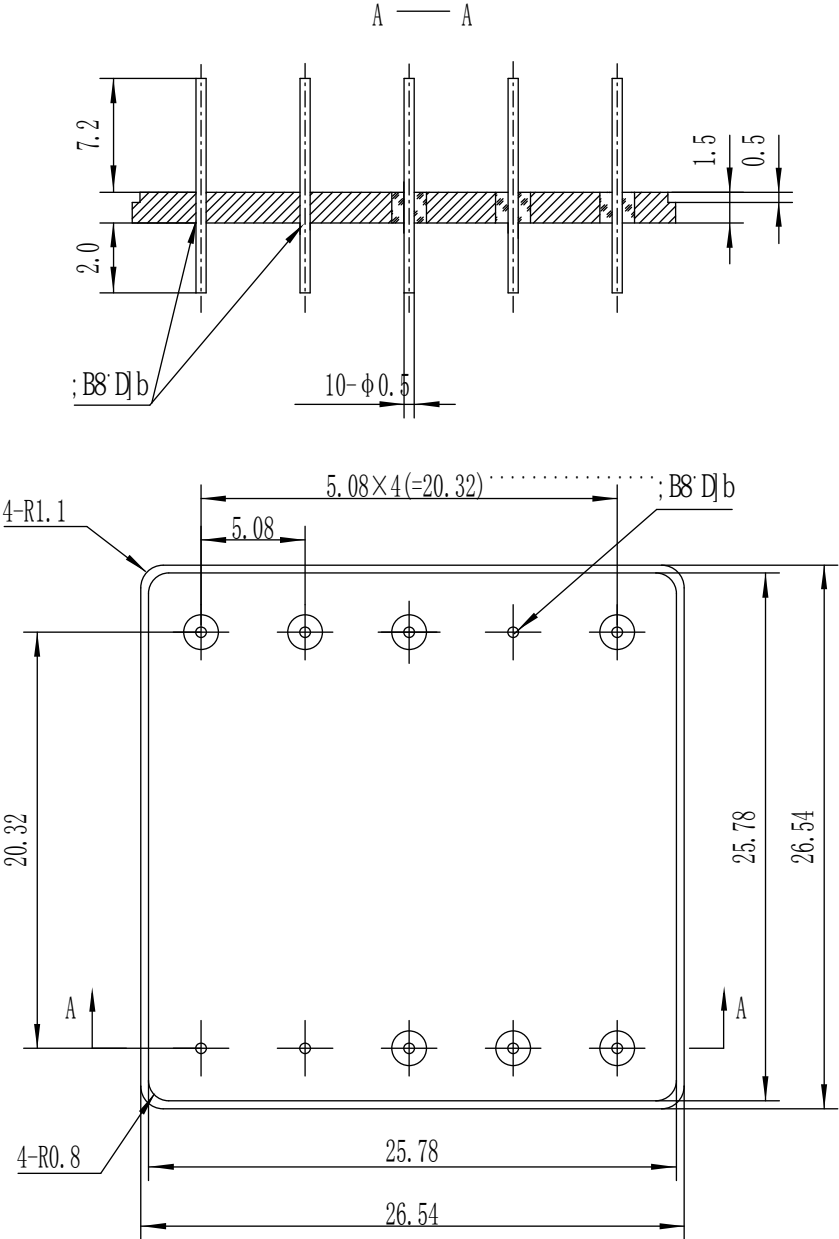
Base Material: CRS

# PP2727 - 09



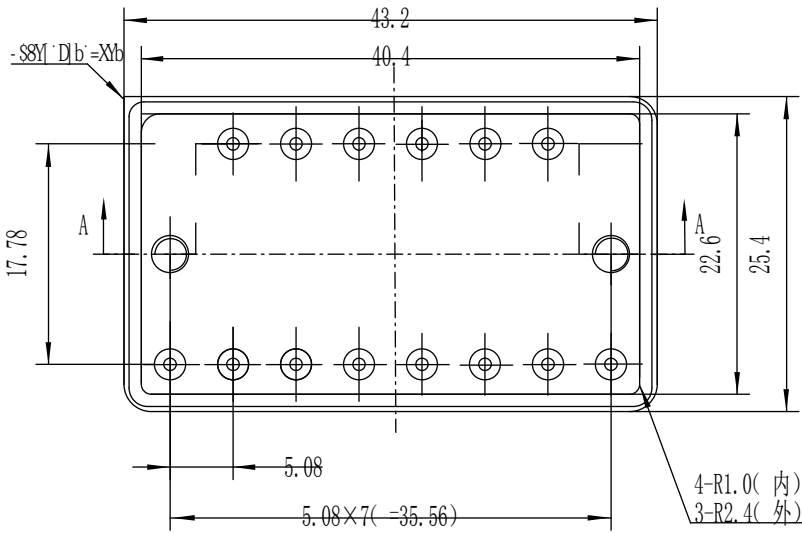
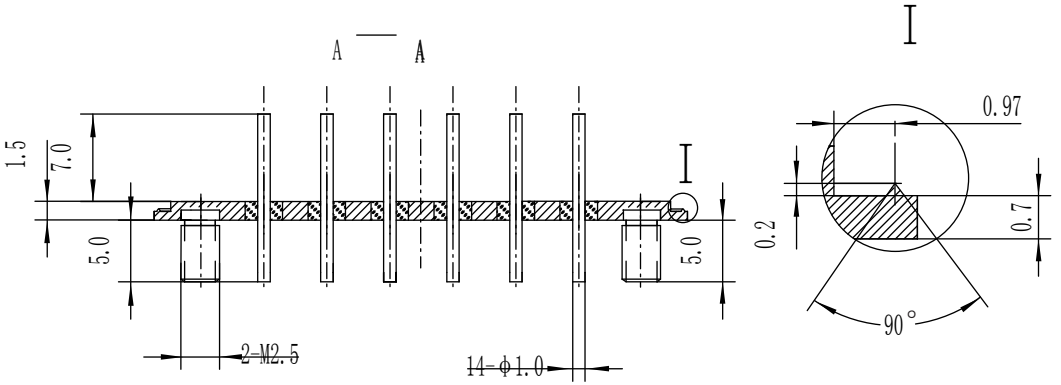
Base Material: CRS

# PP2727 - 10



Base Material: CRS

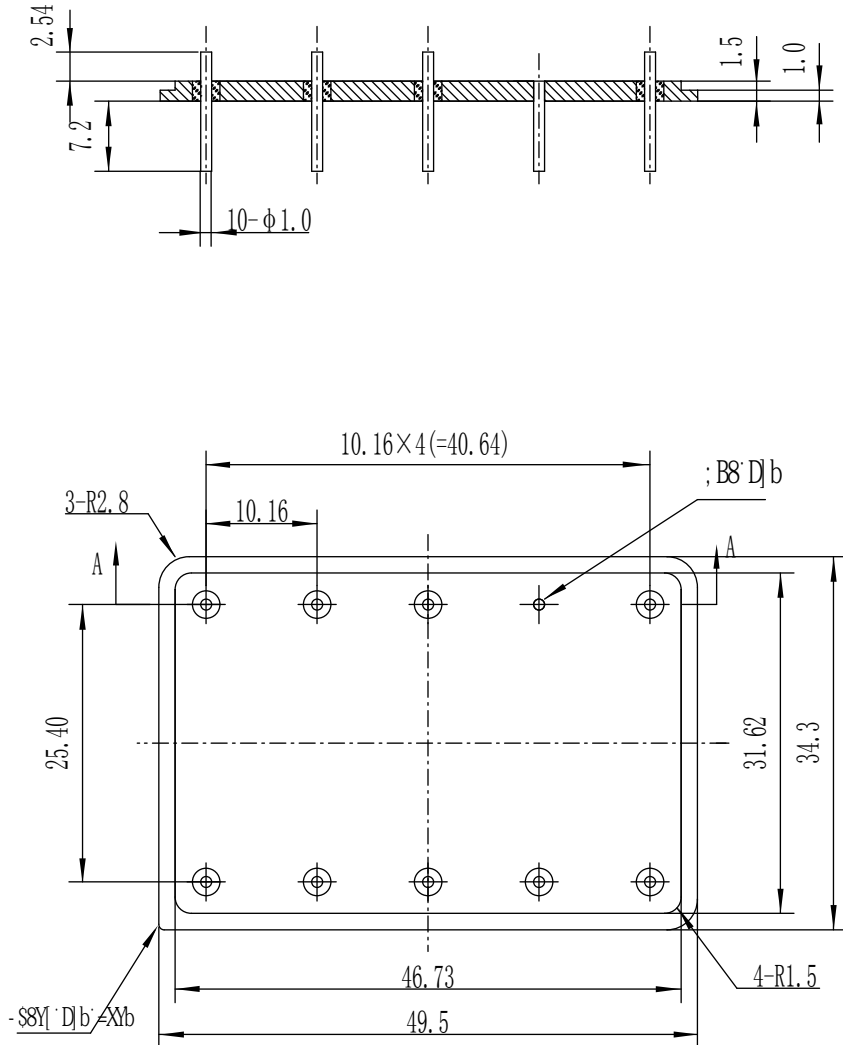
# PP4124 - 14



Base Material: CRS

# PP4833 - 10

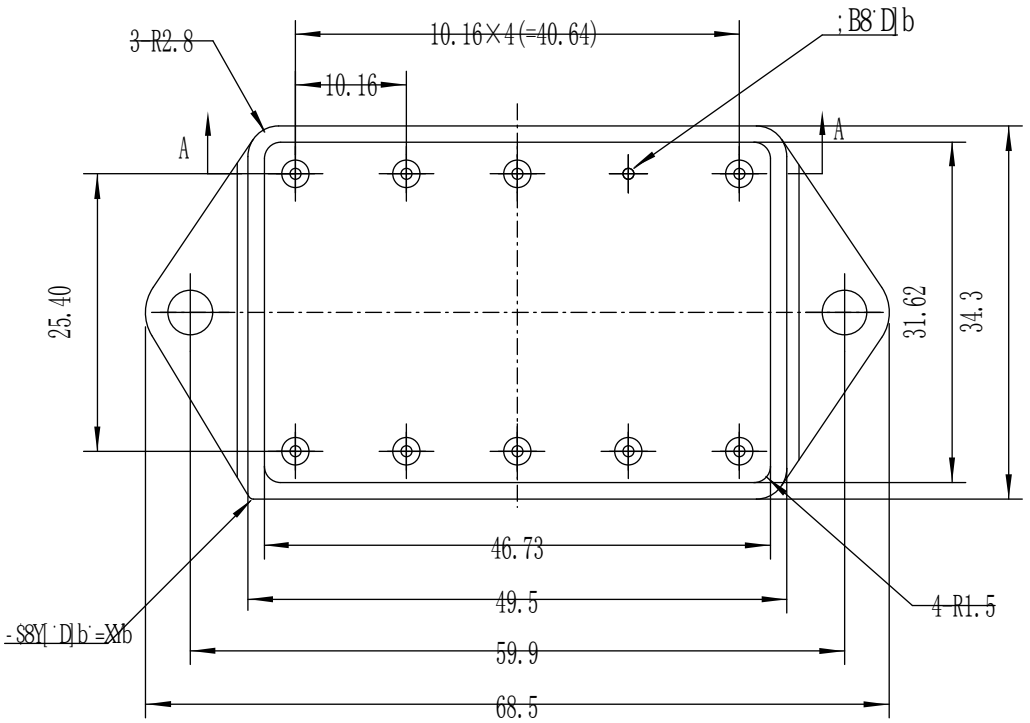
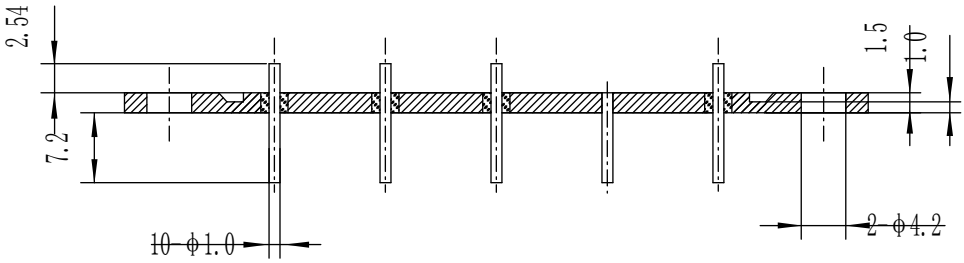
A — A



Base Material: CRS

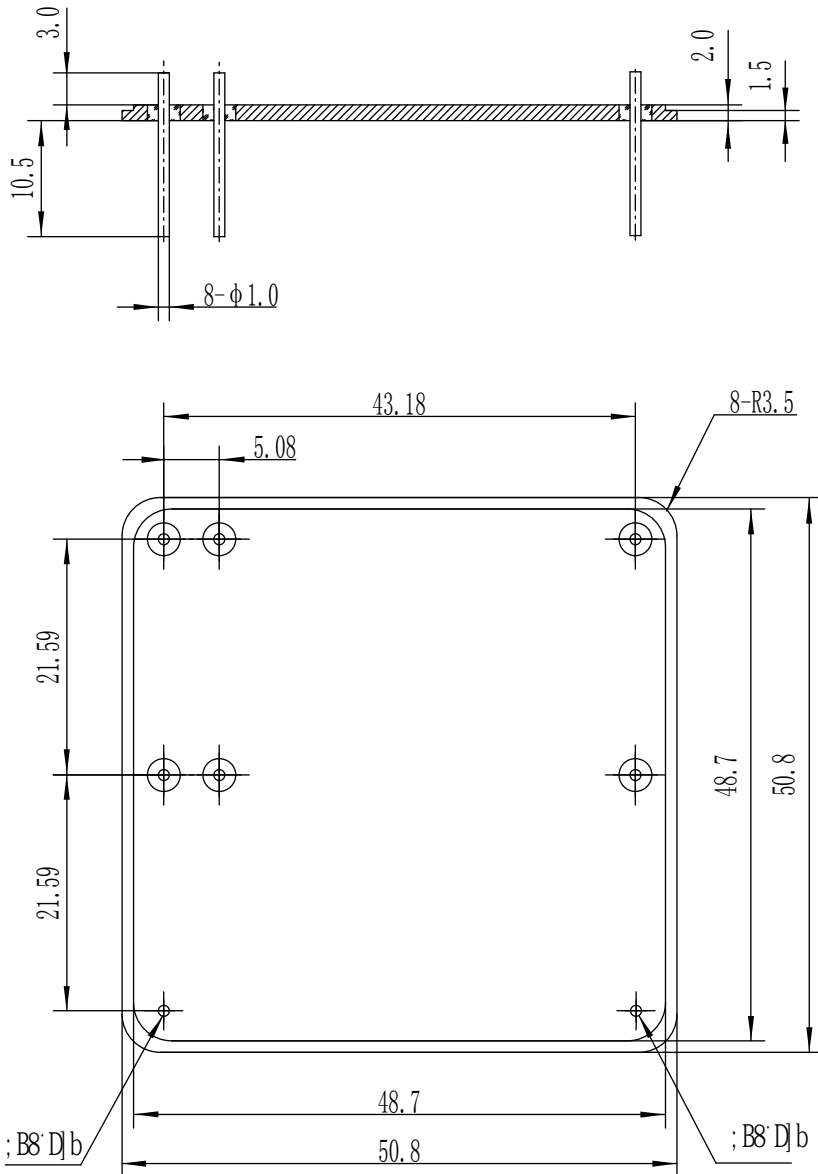
# PP4833 - 10a

A — A



Base Material: CRS

# PP5050 - 08

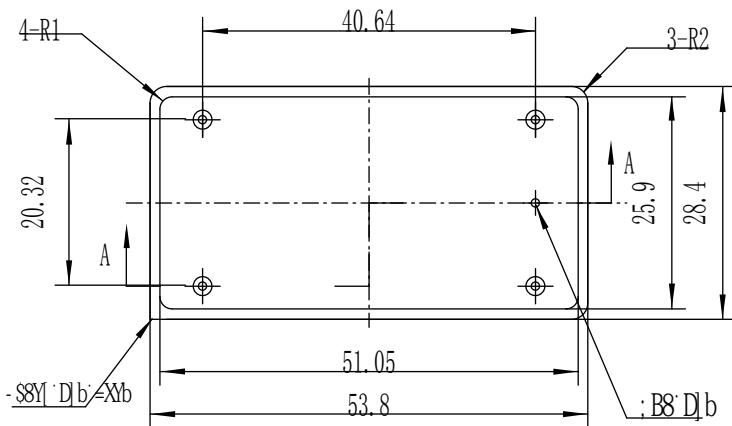
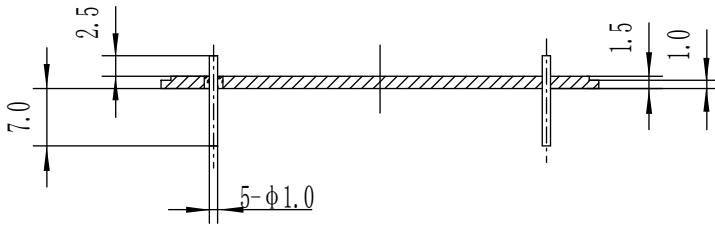


Base Material: CRS



# PP5227 - 05

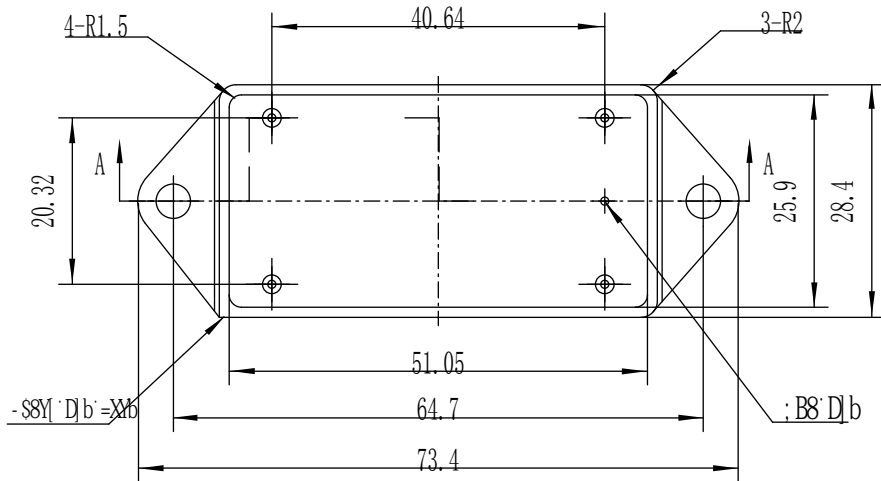
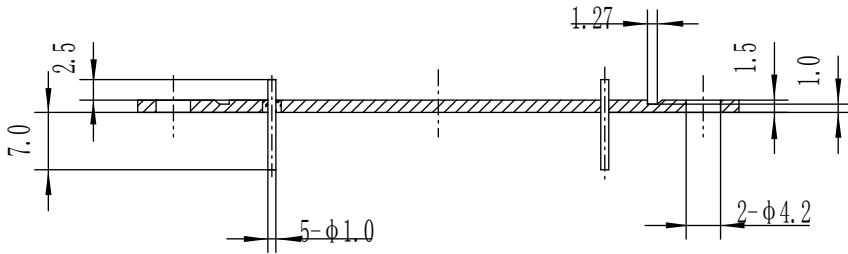
A — A



Base Material: CRS

# PP5227 – 05a

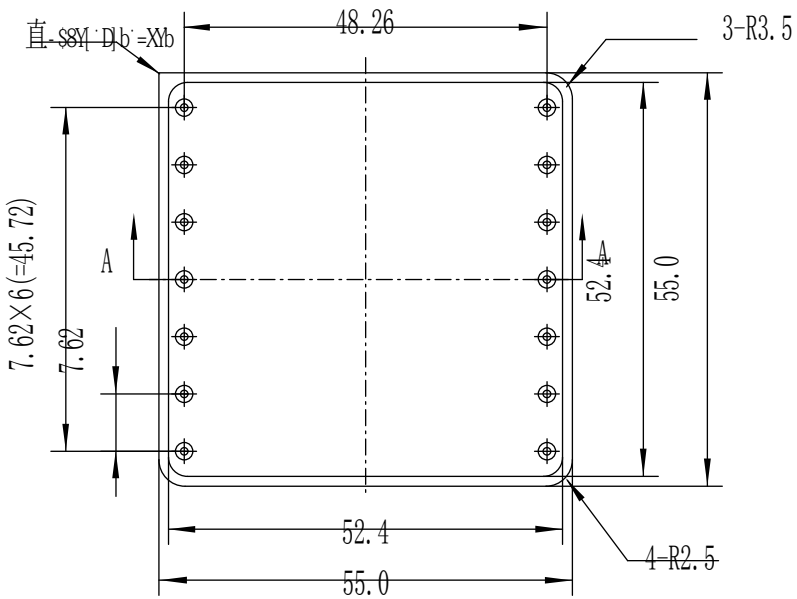
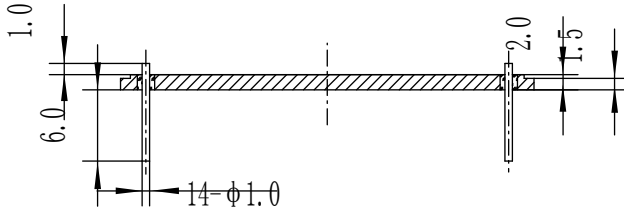
A — A



Base Material: CRS

# PP5454 - 14

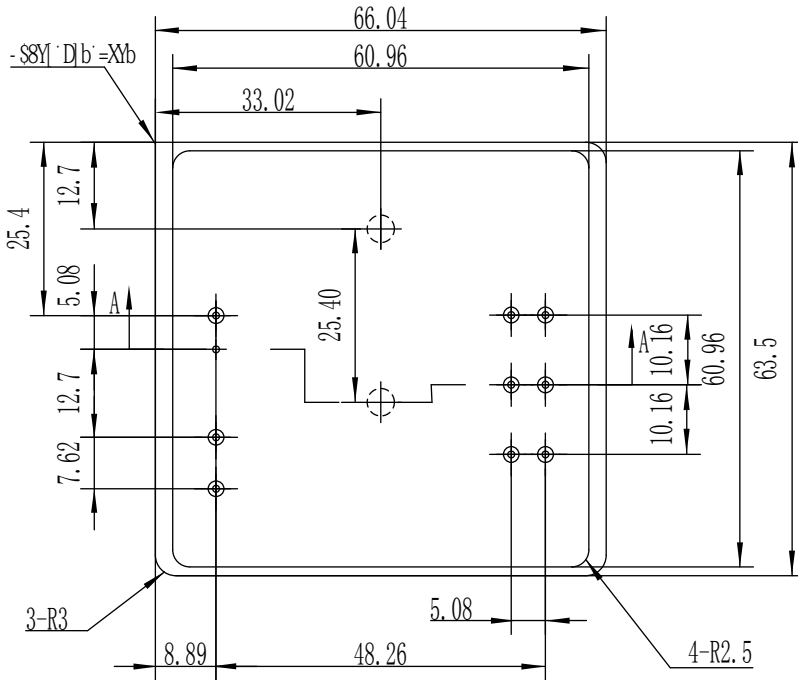
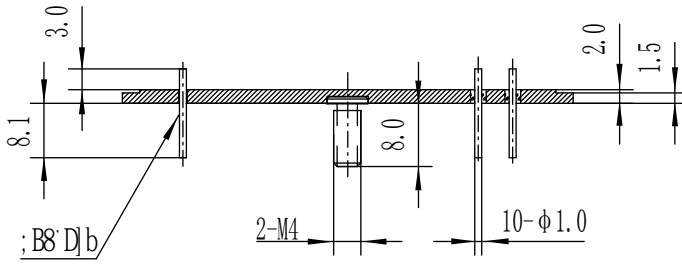
A — A



Base Material: CRS

# PP6362 - 10

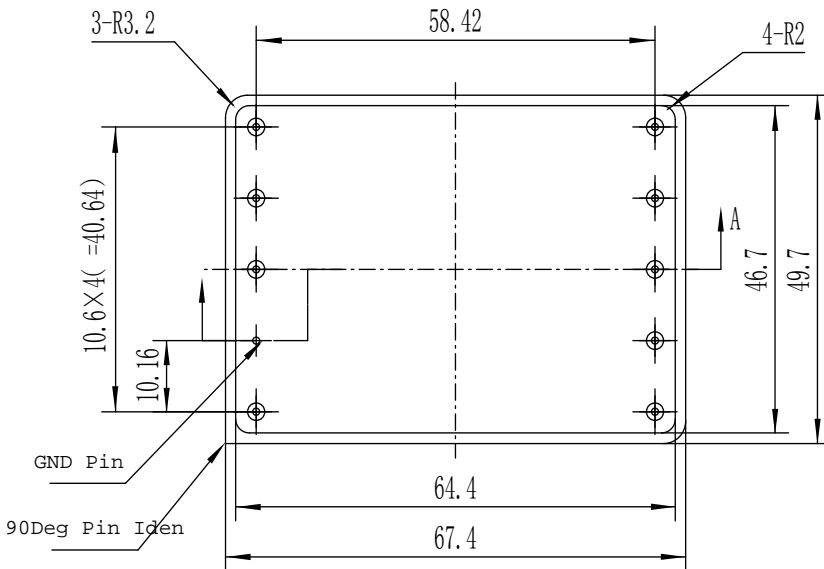
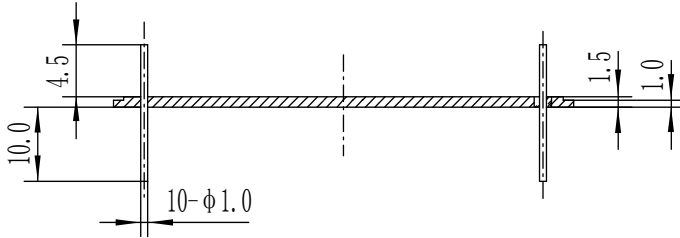
A - A



Base Material: CRS

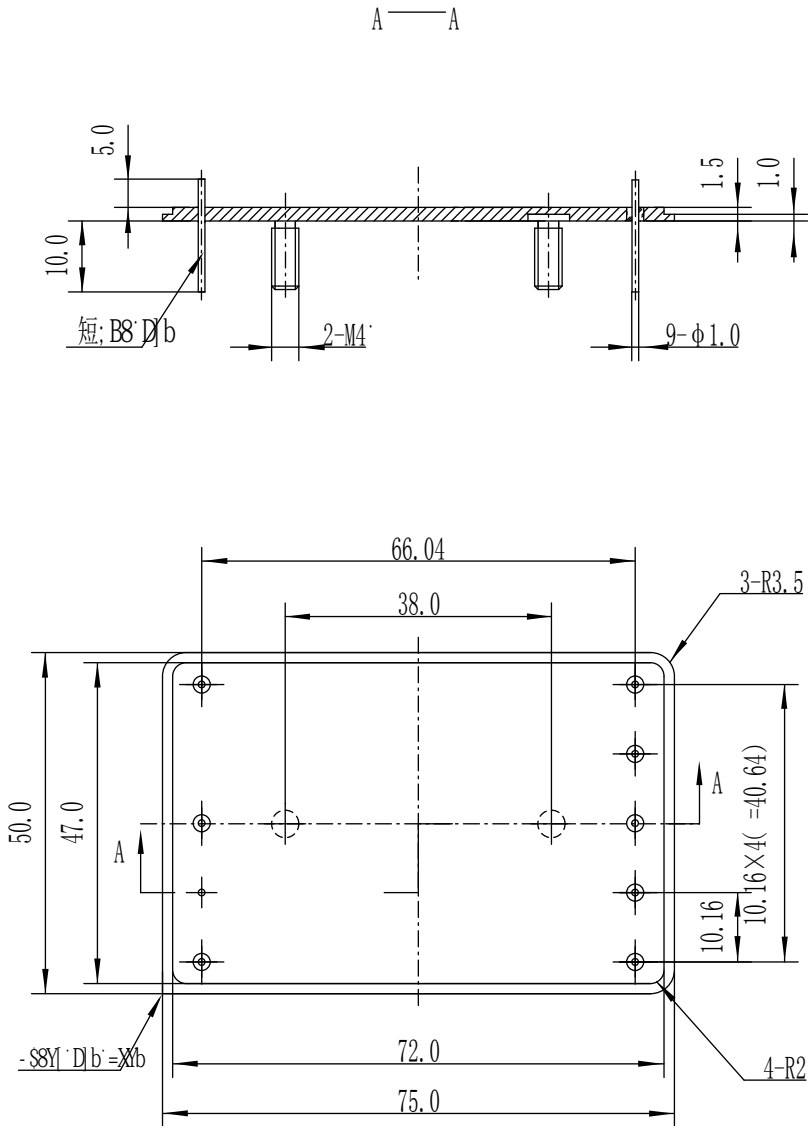
# PP6750 - 10

A—A



Base Material: CRS

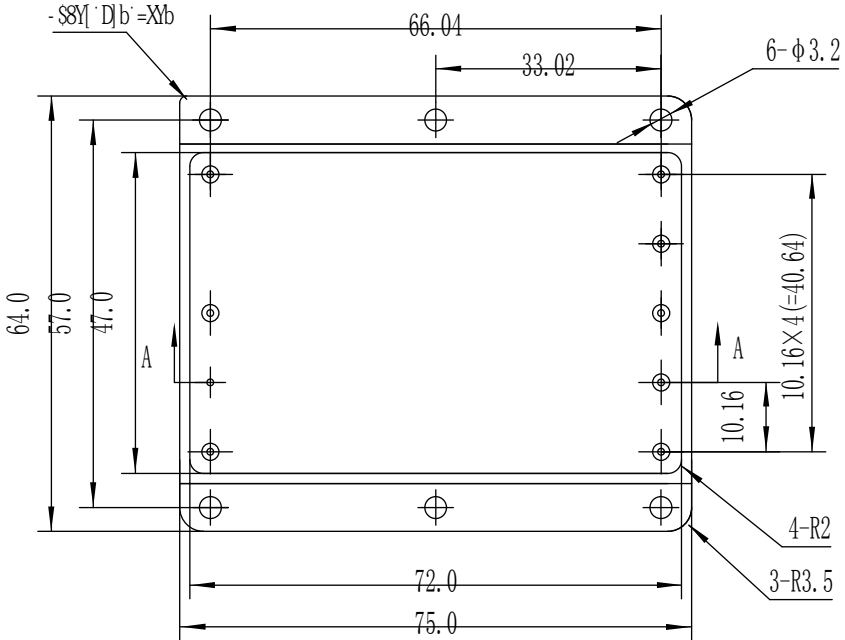
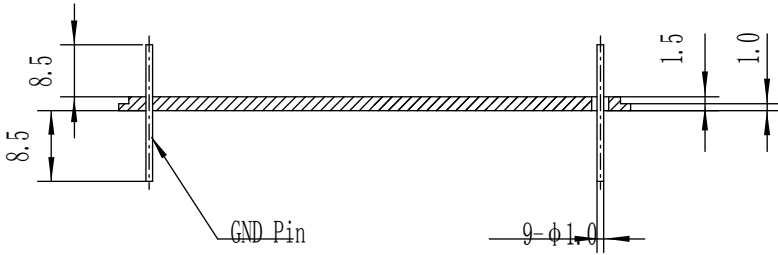
# PP7449 - 09



Base Material: CRS

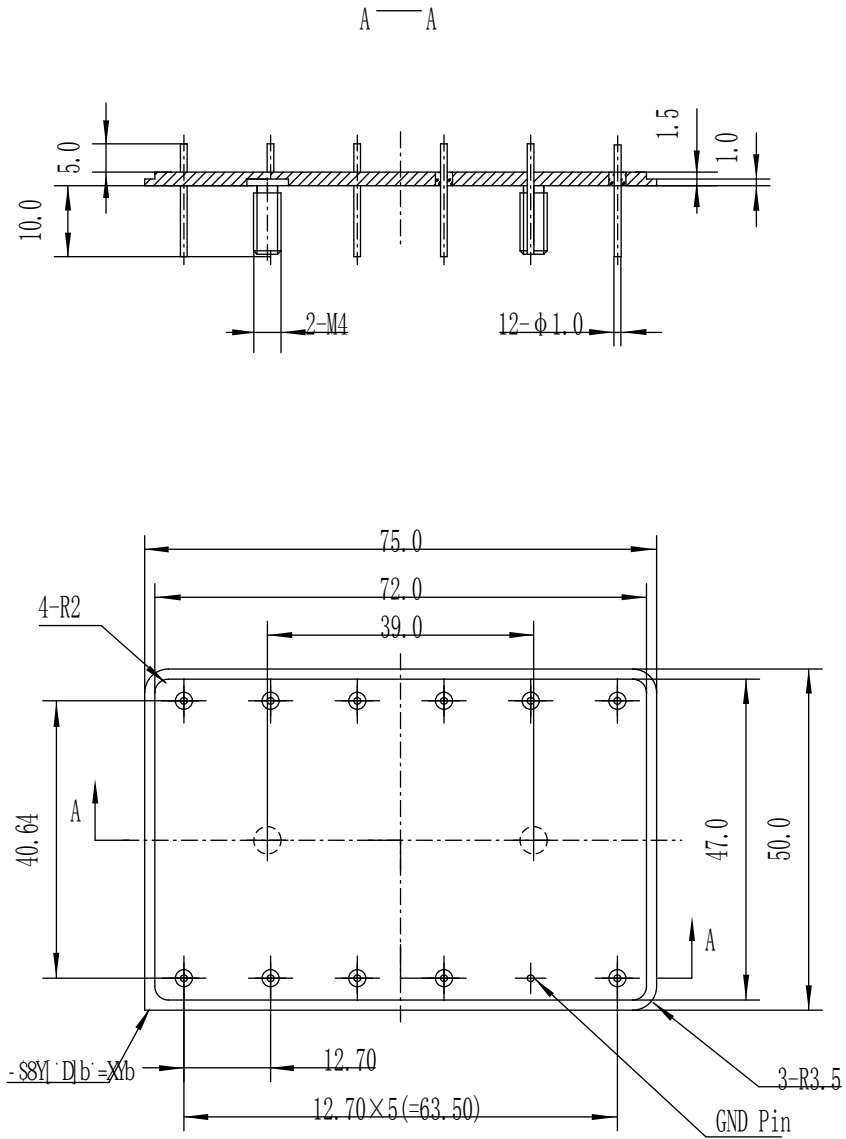
# PP7449 – 09b

A — A



Base Material: CRS

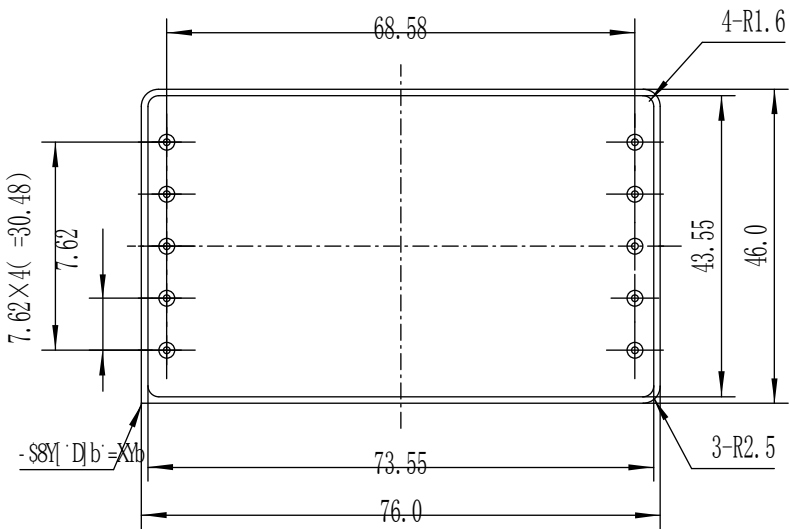
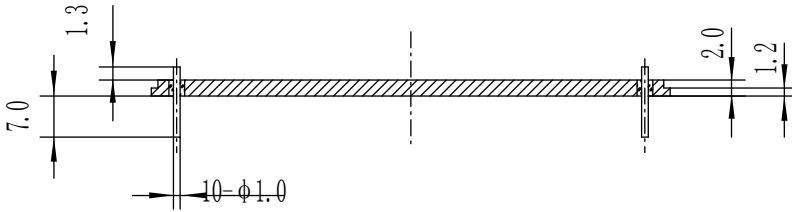
# PP7449 - 12



Base Material: CRS



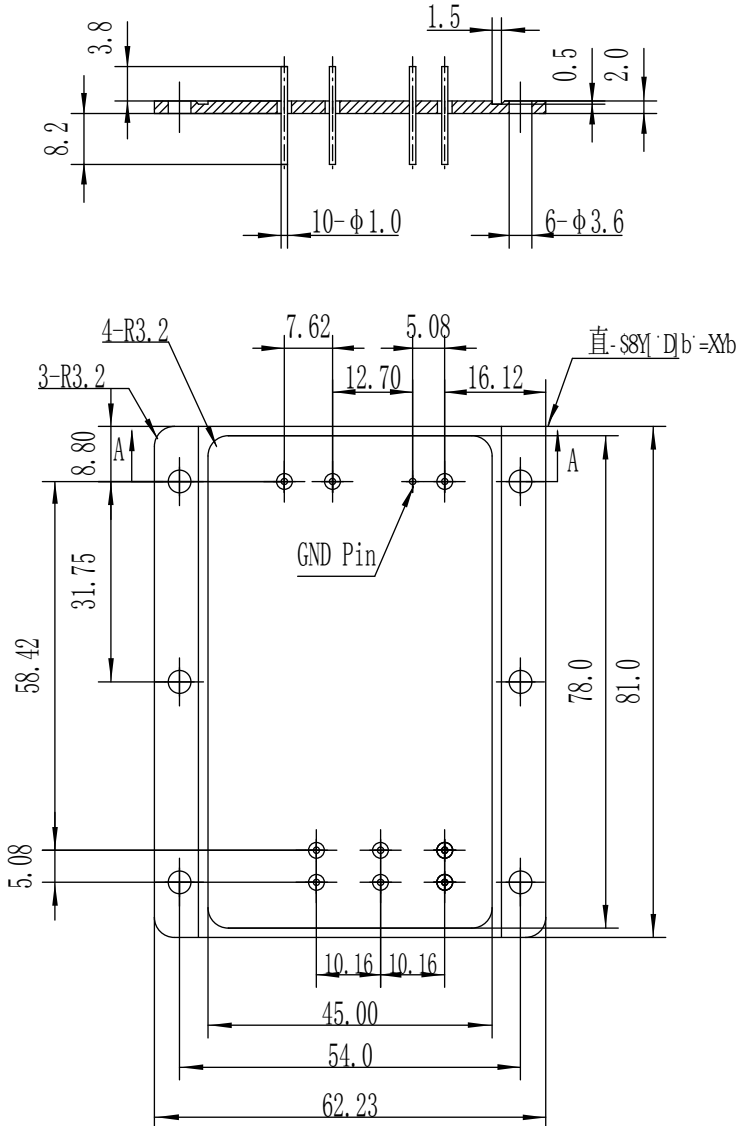
# PP7545 - 10



Base Material: CRS

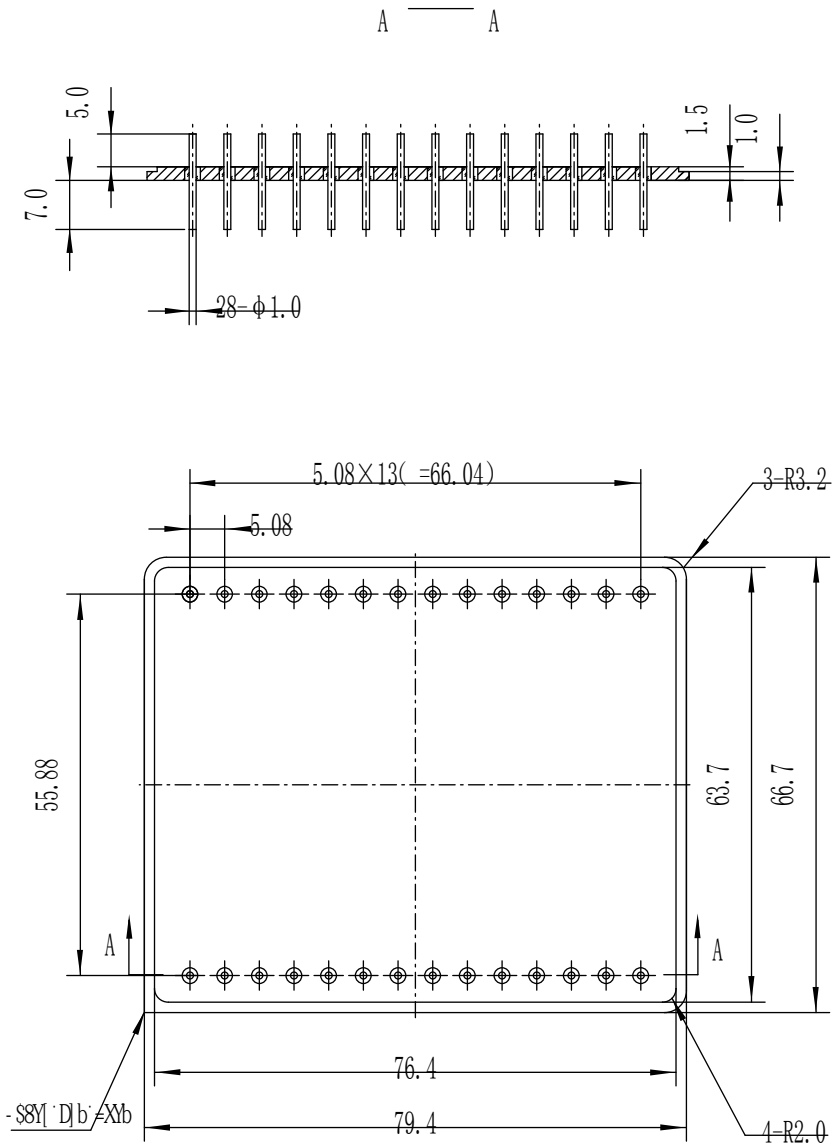
# PP7946 - 10

A — A



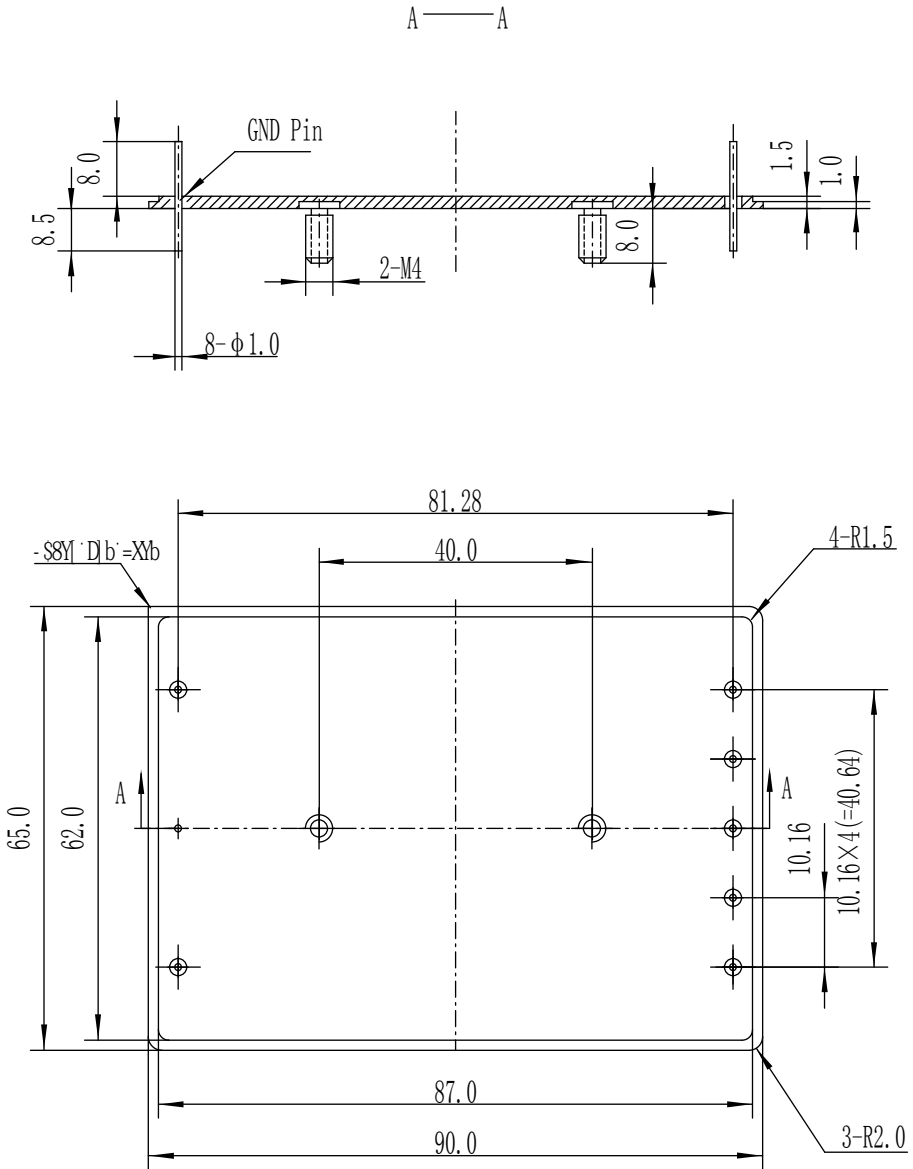
Base Material: CRS

# PP7967 - 28



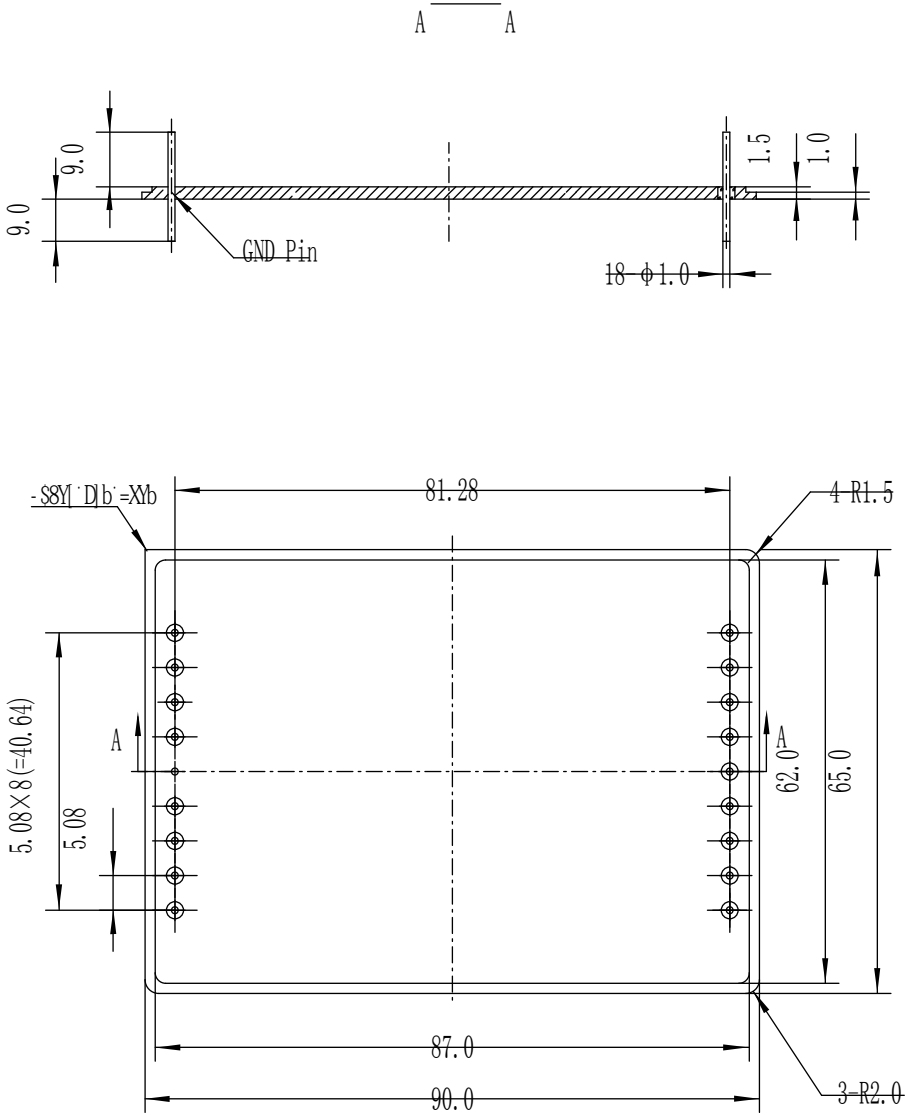
Base Material: CRS

# PP9065 – 08



Base Material: CRS

# PP9065 - 18



Base Material: CRS